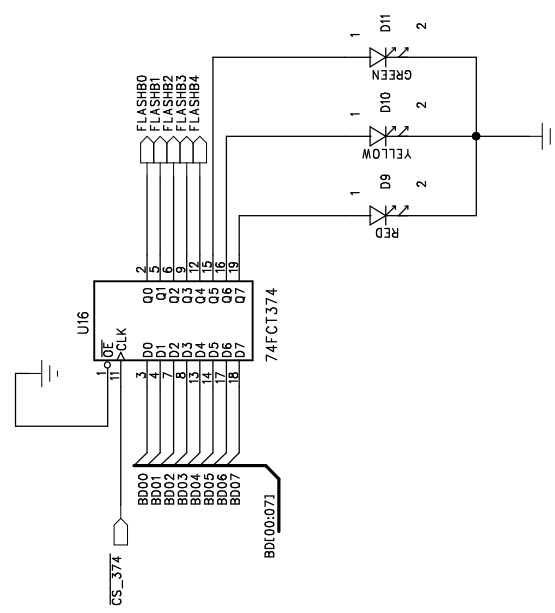
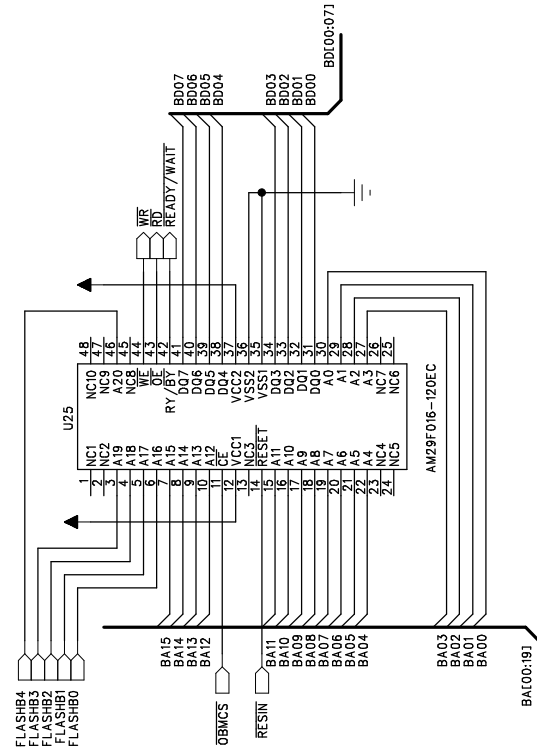
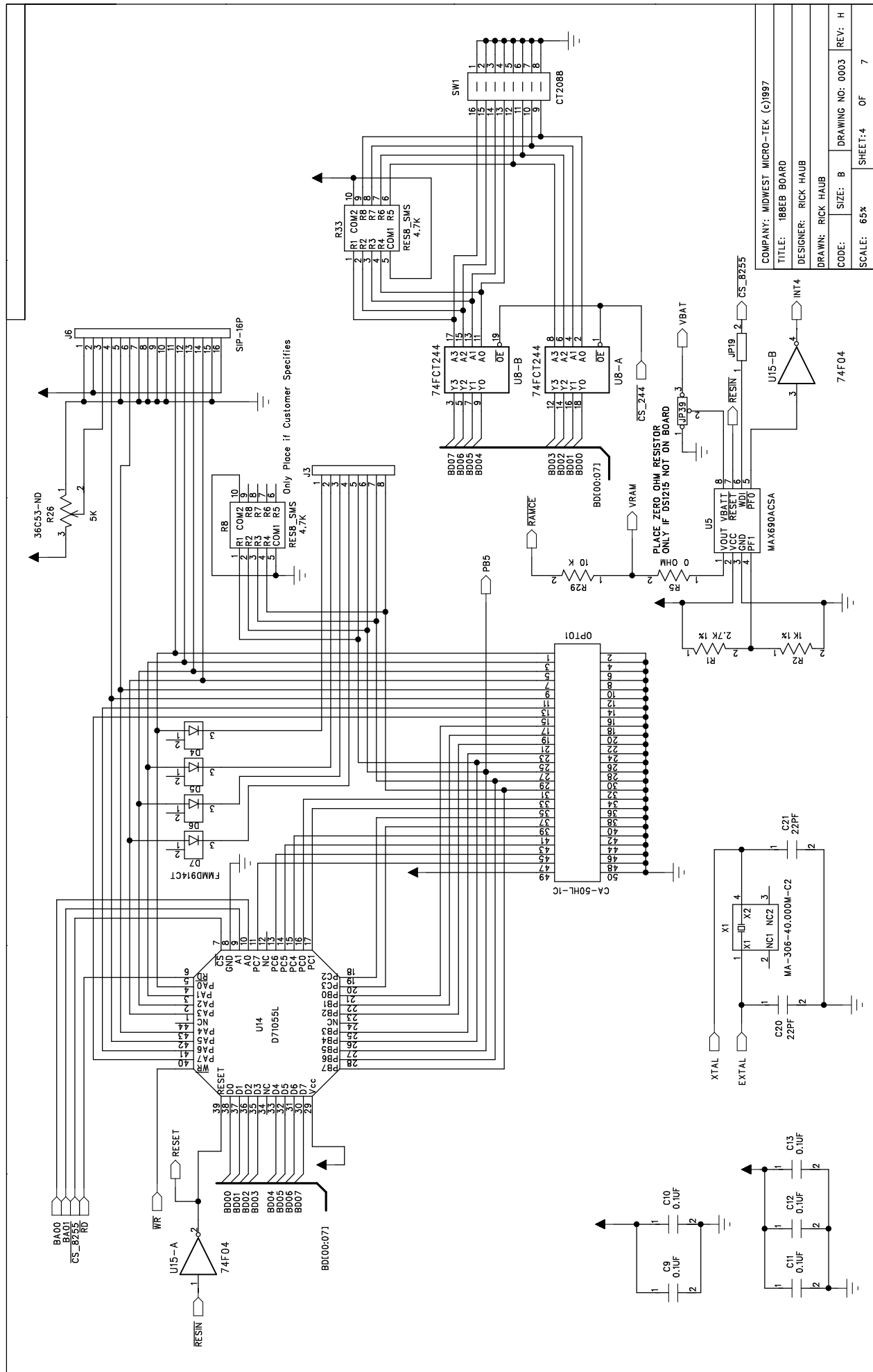


COMPANY: MIDWEST MICRO-TEK (c)1997
TITLE: 188EB BOARD
DESIGNER: RICK HAUB
DRAWN: RICK HAUB
CODE: SIZE: B DRAWING NO: 0003 REV: H
SCALE: 65% SHEET: 2 OF 7

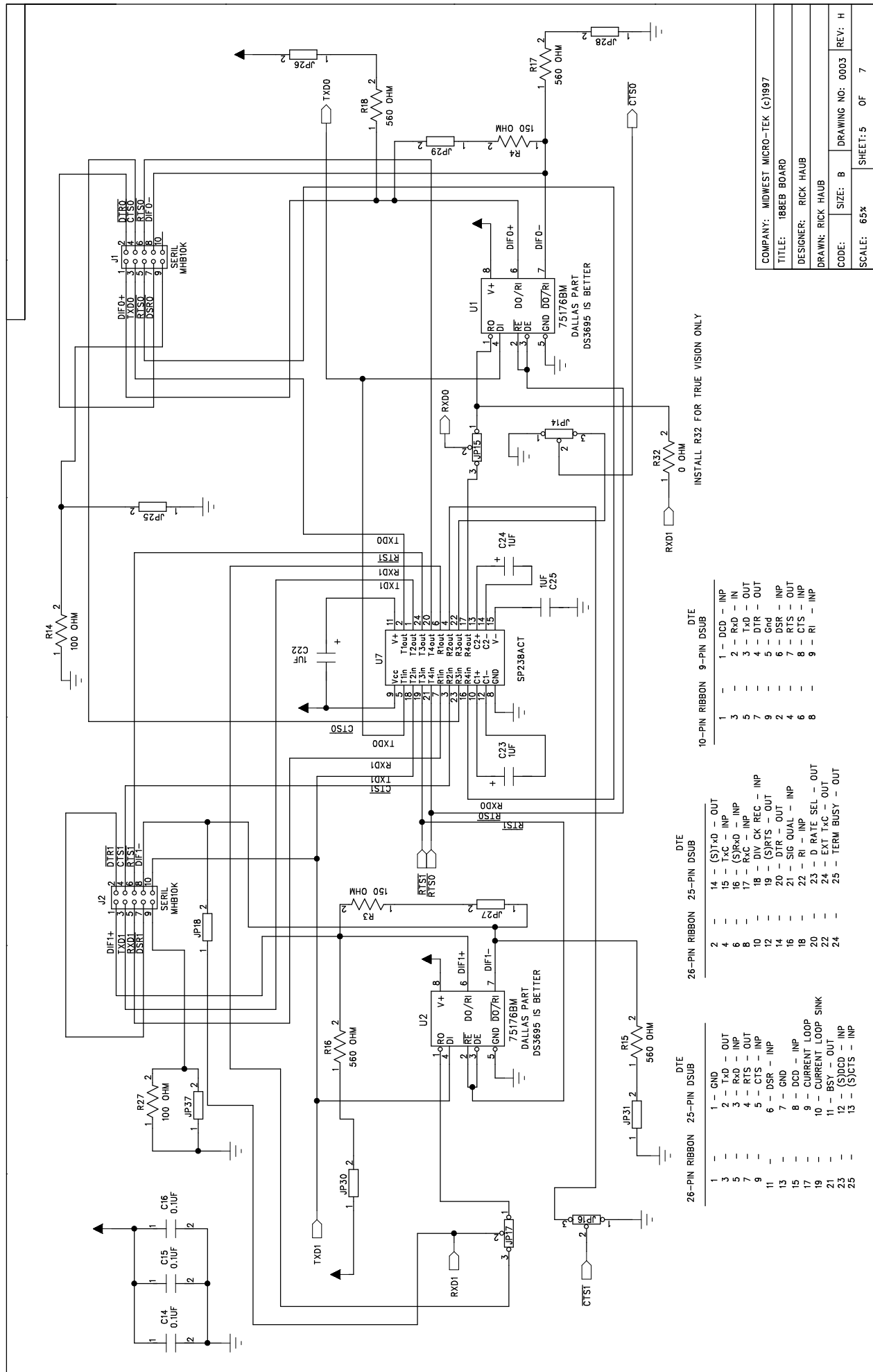
PLACE ZERO OHM RESISTOR ONLY IF DS1315S NOT ON BOARD



COMPANY: MIDWEST MICRO-TEK (c)1997	
TITLE: 188EB BOARD	
DESIGNER: RICK HAUB	
DRAWN: RICK HAUB	
CODE: SIZE: B	DRAWING NO: 0003 REV: H
SCALE: 65%	SHEET: 3 OF 7



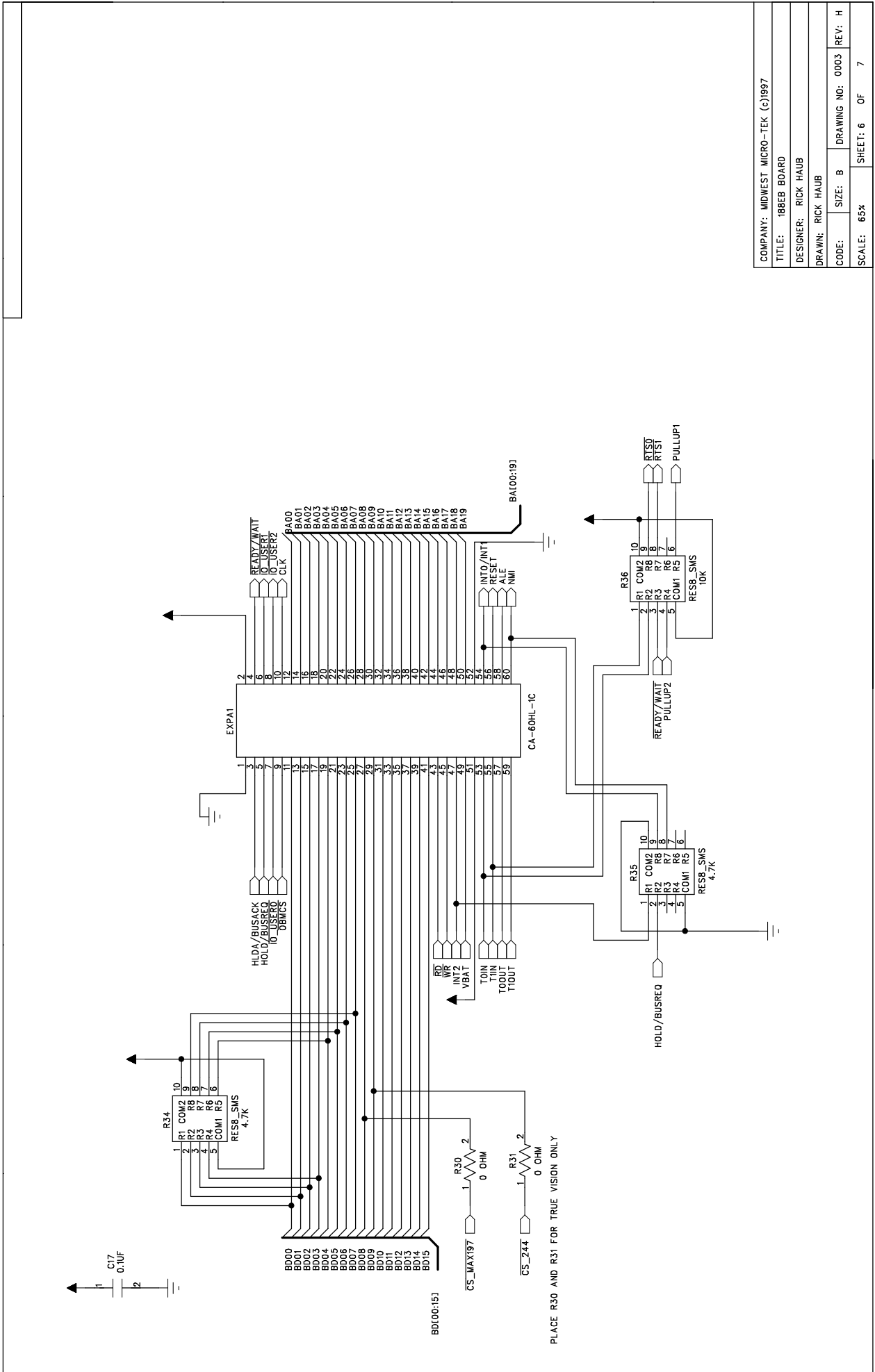
COMPANY: MIDWEST MICRO-TEK (c)1997			
TITLE: 188EB BOARD			
DESIGNER: RICK HAUB			
DRAWN: RICK HAUB			
CODE:	SIZE: B	DRAWING NO: 0003	REV: H
SCALE: 65%	SHEET: 4	OF	7



COMPANY: MIDWEST MICRO-TEK (c)1997
 TITLE: 188EB BOARD
 DESIGNER: RICK HAUB
 DRAWN: RICK HAUB
 CODE: SIZE: B DRAWING NO: 0003 REV: H
 SCALE: 65% SHEET: 5 OF 7

INSTALL R32 FOR TRUE VISION ONLY

26-PIN RIBBON 25-PIN DSUB		26-PIN RIBBON 25-PIN DSUB		26-PIN RIBBON 25-PIN DSUB	
DTE	DTE	DTE	DTE	DTE	DTE
1 - GND	14 - (S)TXD - OUT	1 - DCD - INP	1 - DCD - INP	1 - DCD - INP	1 - DCD - INP
2 - TXD - OUT	15 - TXC - INP	2 - RXD - INP	2 - RXD - INP	2 - RXD - INP	2 - RXD - INP
3 - RXD - INP	16 - (S)RXD - INP	3 - TXD - OUT	3 - TXD - OUT	3 - TXD - OUT	3 - TXD - OUT
4 - RTS - OUT	17 - RXC - INP	4 - DTR - OUT	4 - DTR - OUT	4 - DTR - OUT	4 - DTR - OUT
5 - CTS - INP	18 - DIV CK REC - INP	5 - Gnd	5 - Gnd	5 - Gnd	5 - Gnd
6 - DSR - INP	19 - (S)RTS - OUT	6 - DSR - INP	6 - DSR - INP	6 - DSR - INP	6 - DSR - INP
7 - GND	20 - DTR - OUT	7 - RTS - OUT	7 - RTS - OUT	7 - RTS - OUT	7 - RTS - OUT
8 - DCD - INP	21 - SIG QUAL - INP	8 - CTS - INP	8 - CTS - INP	8 - CTS - INP	8 - CTS - INP
9 - CURRENT LOOP	22 - RI - INP	9 - RI - INP	9 - RI - INP	9 - RI - INP	9 - RI - INP
10 - CURRENT LOOP SINK	23 - D RATE SEL - OUT	10 - RI - INP	10 - RI - INP	10 - RI - INP	10 - RI - INP
11 - BSY - OUT	24 - EXT TXC - OUT	11 - BSY - OUT	11 - BSY - OUT	11 - BSY - OUT	11 - BSY - OUT
12 - (S)DCD - INP	25 - TERM BUSY - OUT	12 - (S)DCD - INP	12 - (S)DCD - INP	12 - (S)DCD - INP	12 - (S)DCD - INP
13 - (S)CTS - INP		13 - (S)CTS - INP	13 - (S)CTS - INP	13 - (S)CTS - INP	13 - (S)CTS - INP



COMPANY: MIDWEST MICRO-TEK (c)1987	
TITLE: 188EB BOARD	
DESIGNER: RICK HAUB	
DRAWN: RICK HAUB	
CODE: SIZE: B	DRAWING NO: 0003 REV: H
SCALE: 65%	SHEET: 6 OF 7

